

# INSTALLATION INSTRUCTION

## PART# AA-03

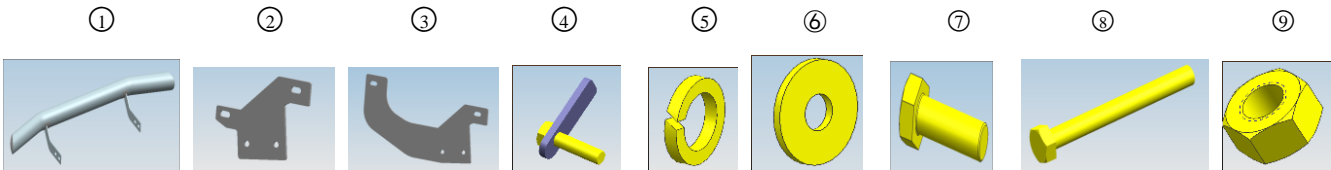
### 3" FRONT BAR FOR FORD RANGER T6 2012

#### NOTICE:

- ≡ The figures here are for reference only and may have differences with the actual product you received, however they share the same assembly way.
- ≡ Please read the instruction completely for easy installation, which will also help you to avoid scratches or other potential damages to your appealing car.
- ≡ Please periodically check and retighten all the hardware.

#### Parts list

NO.	Description	Qty	Dimension
①	Bull bar	1	
②	Left bracket	1	
③	Right bracket	1	
④	T bolt	2	
⑤	Spring washer	6	D10
⑥	Flat washer	14	D10
⑦	Hex thread	4	M10_30
⑧	Hex thread	2	M10_90
⑨	Hex bolt	8	M10

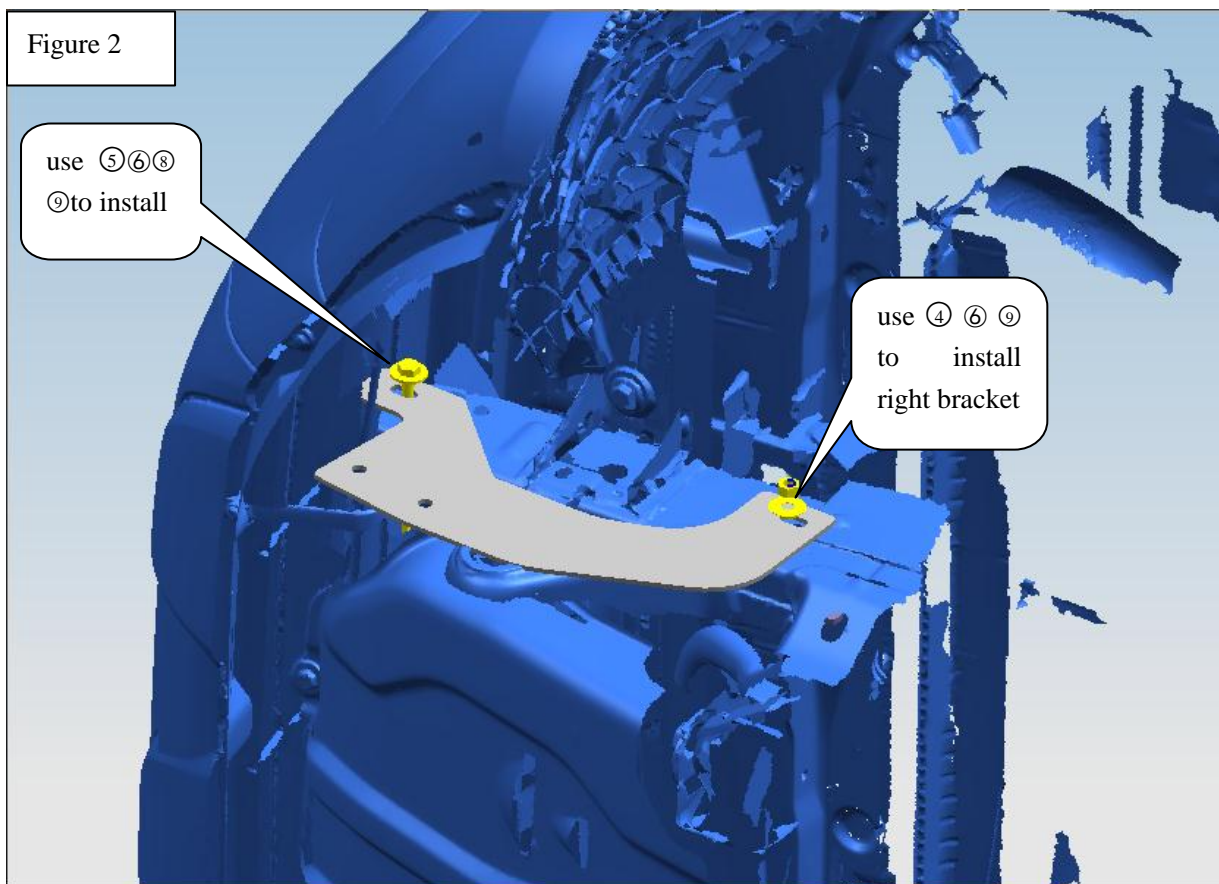
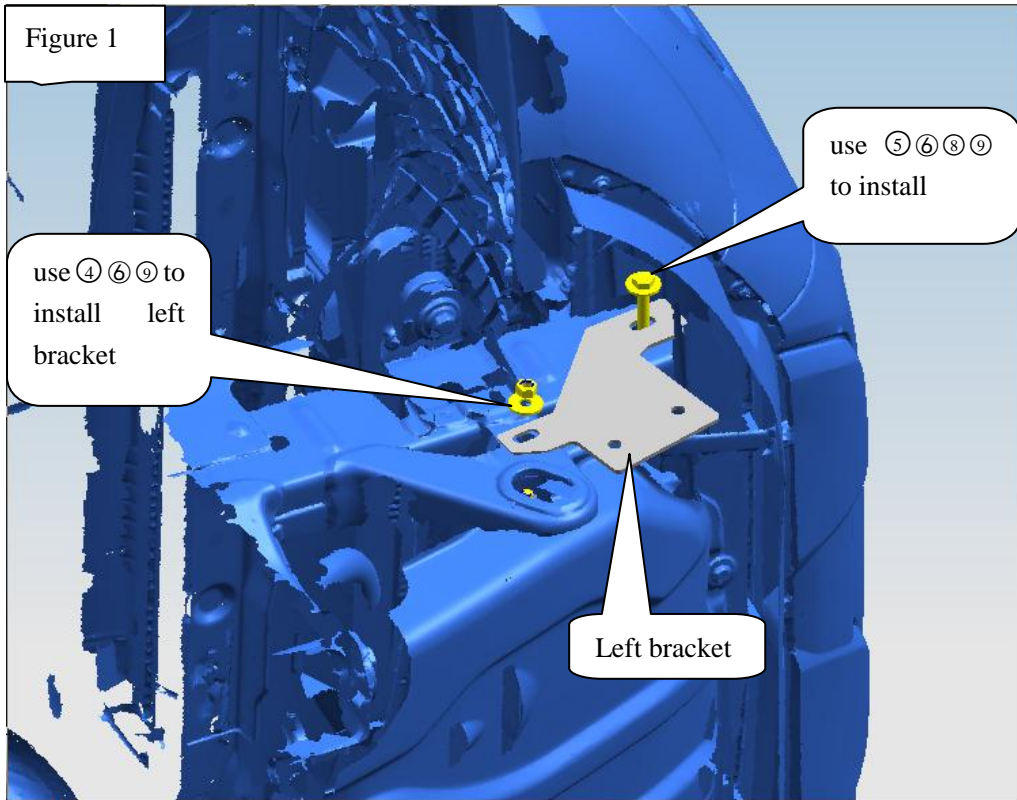


#### Fitting step

**1. REMOVE CONTENTS FROM BOX. VERIFY ALL PARTS ARE PRESENT. READ INSTRUCTIONS CAREFULLY.**

2. Install left and right brackets to the holes underneath the vehicle.

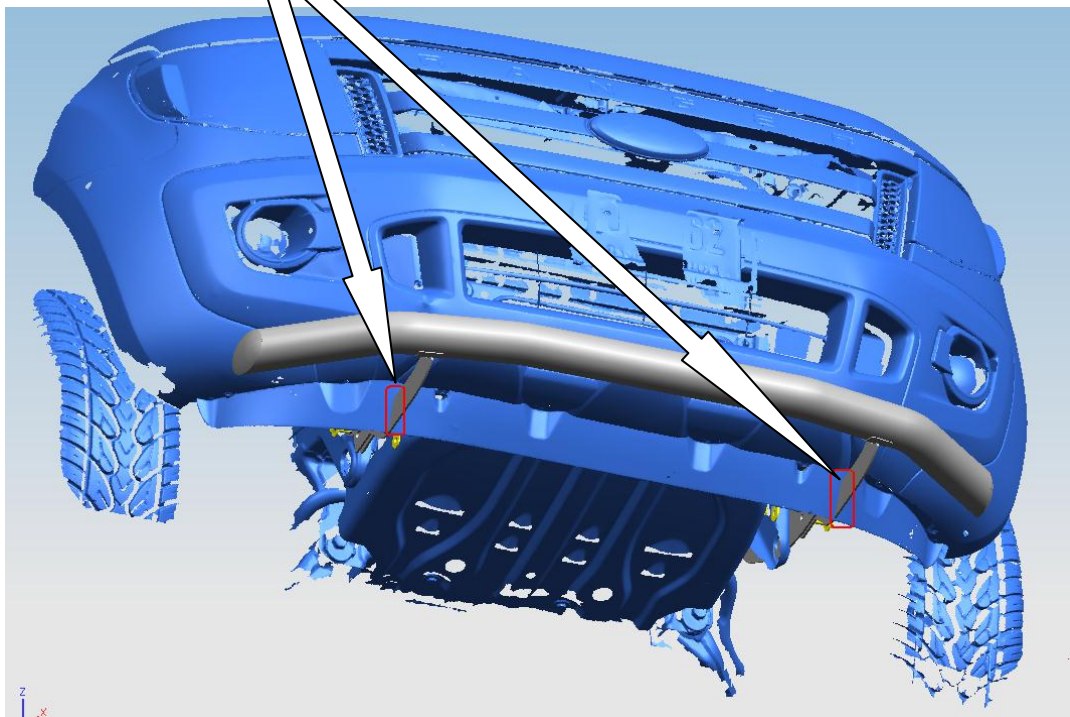
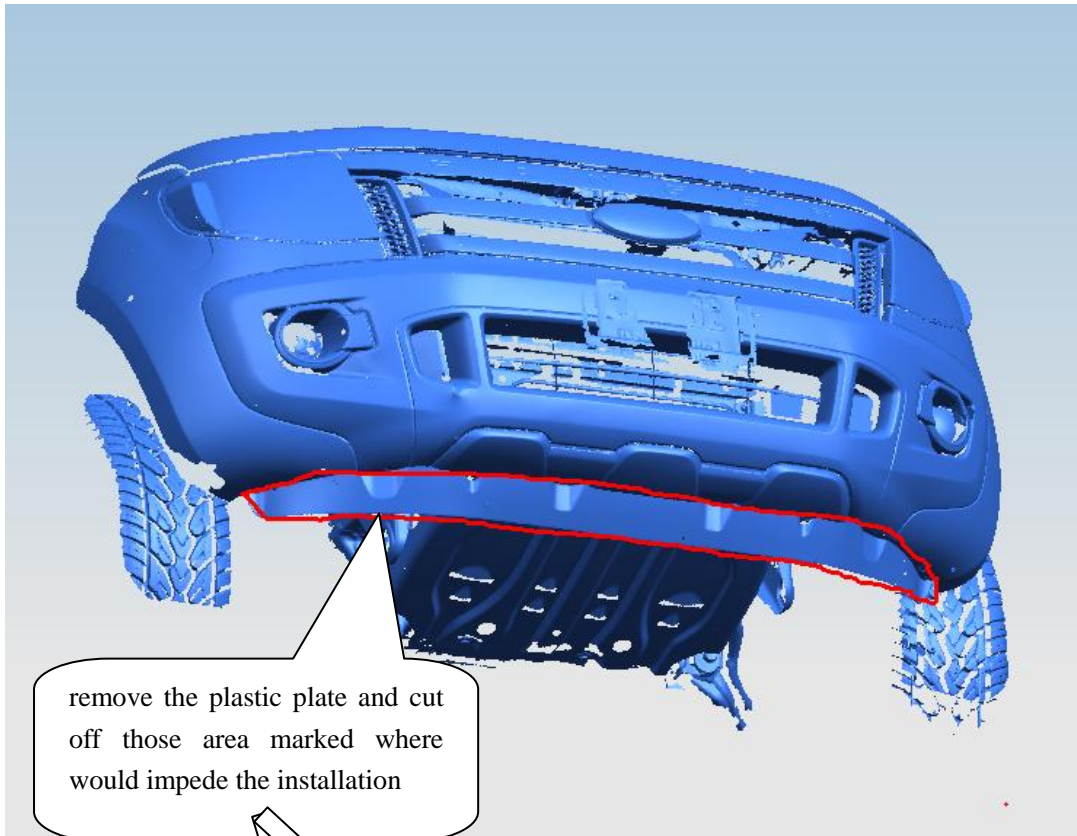
# INSTALLATION INSTRUCTION



3. Connect the brackets and bar with thread according to following instruction, here you will see the bar will interfere the plastic plate underneath the vehicle. Line up the bar towards the plastic plate, mark the interferential area on the plastic plate,

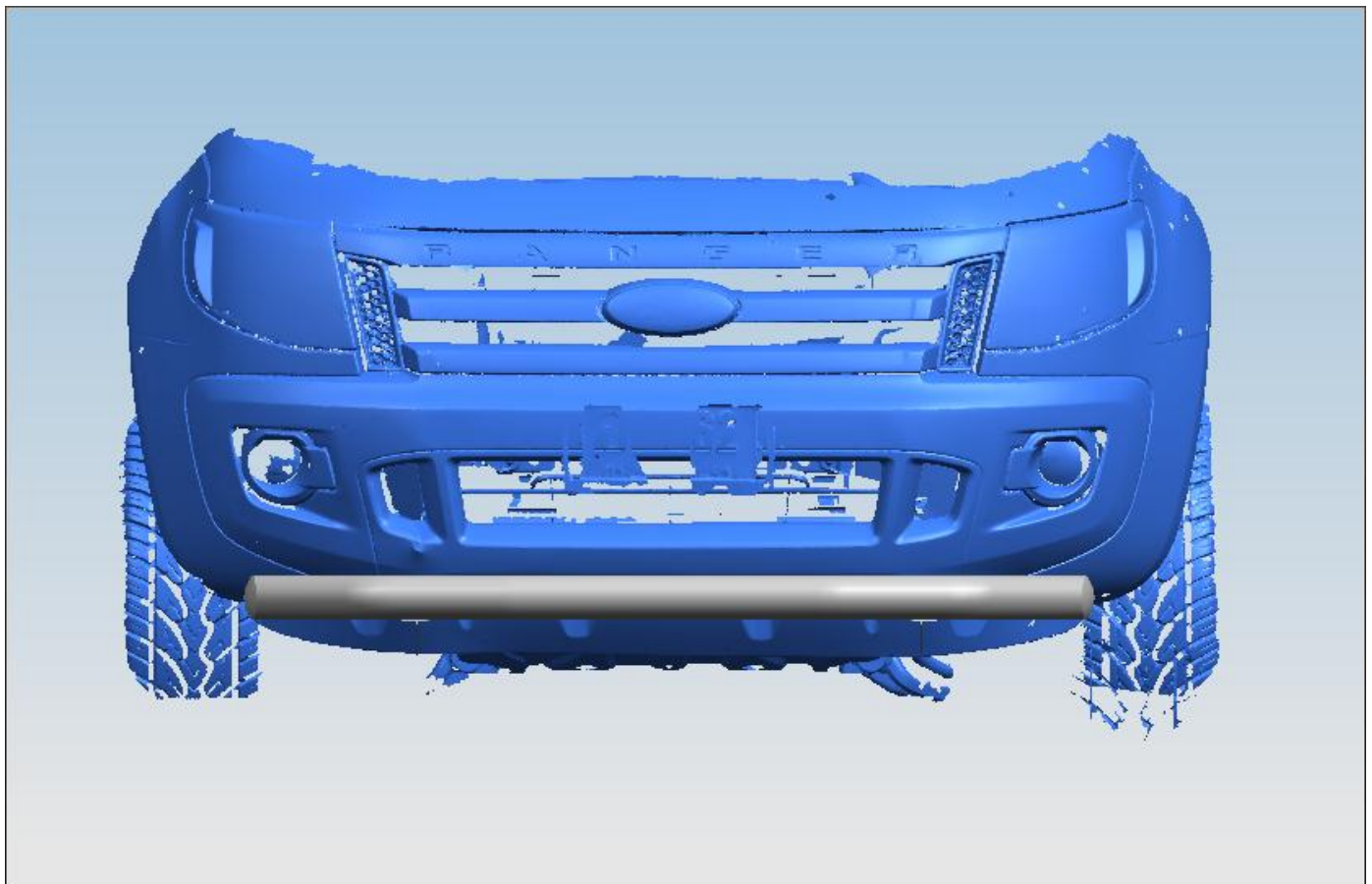
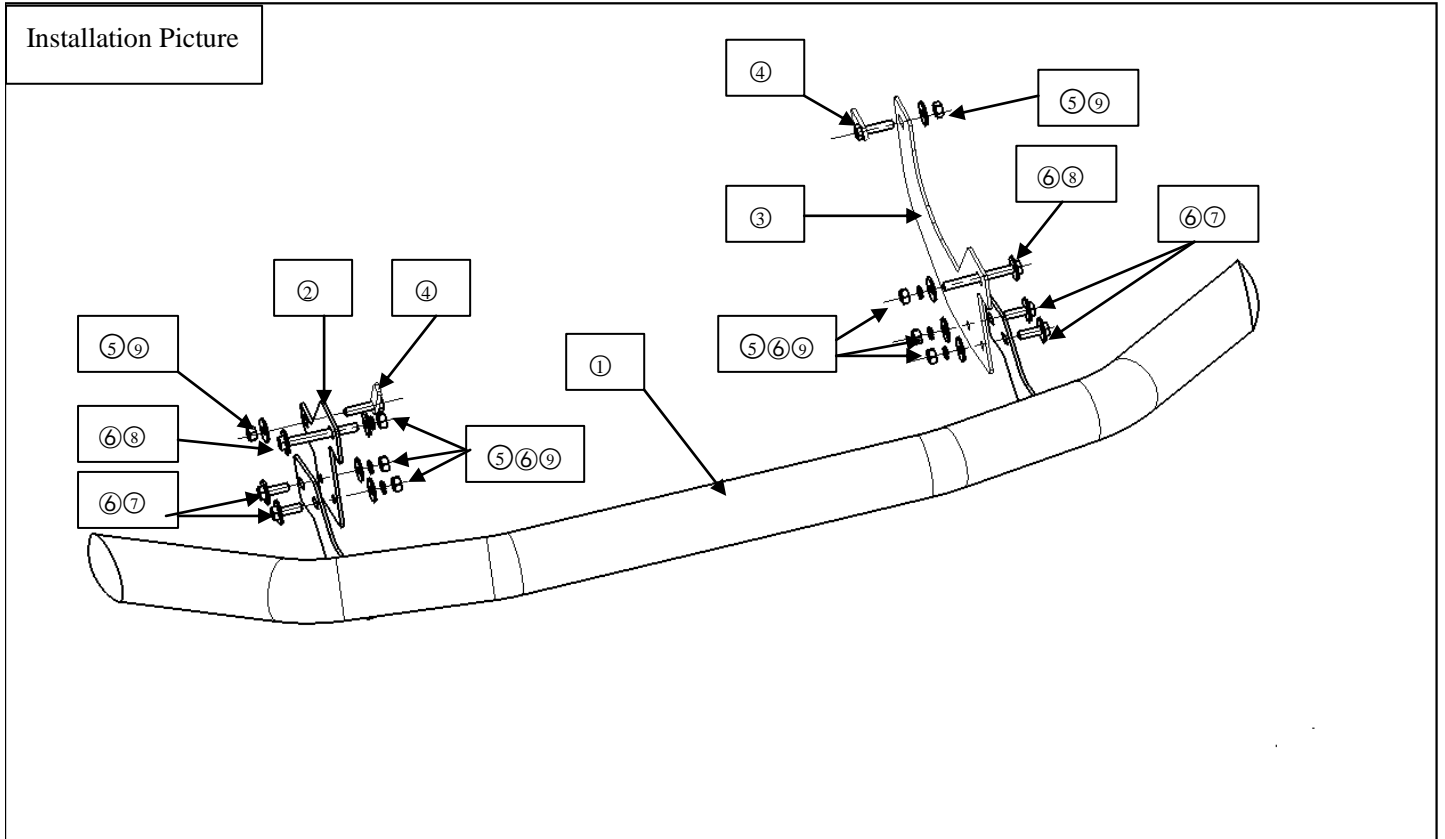
## INSTALLATION INSTRUCTION

remove the plastic plate and cut off those area marked where would impede the installation.



4. Install the plastic plate from last step, and then install the bar and brackets according to following instruction
5. Adjust the bar to a proper location, align, level and tighten all spare parts.
6. Installation completed. Do periodic inspections to the installation to make sure that all hardware is secure and tight.

# INSTALLATION INSTRUCTION



**DISCLAIMER:** We are not responsible for any quality problems caused by improper installation and use.